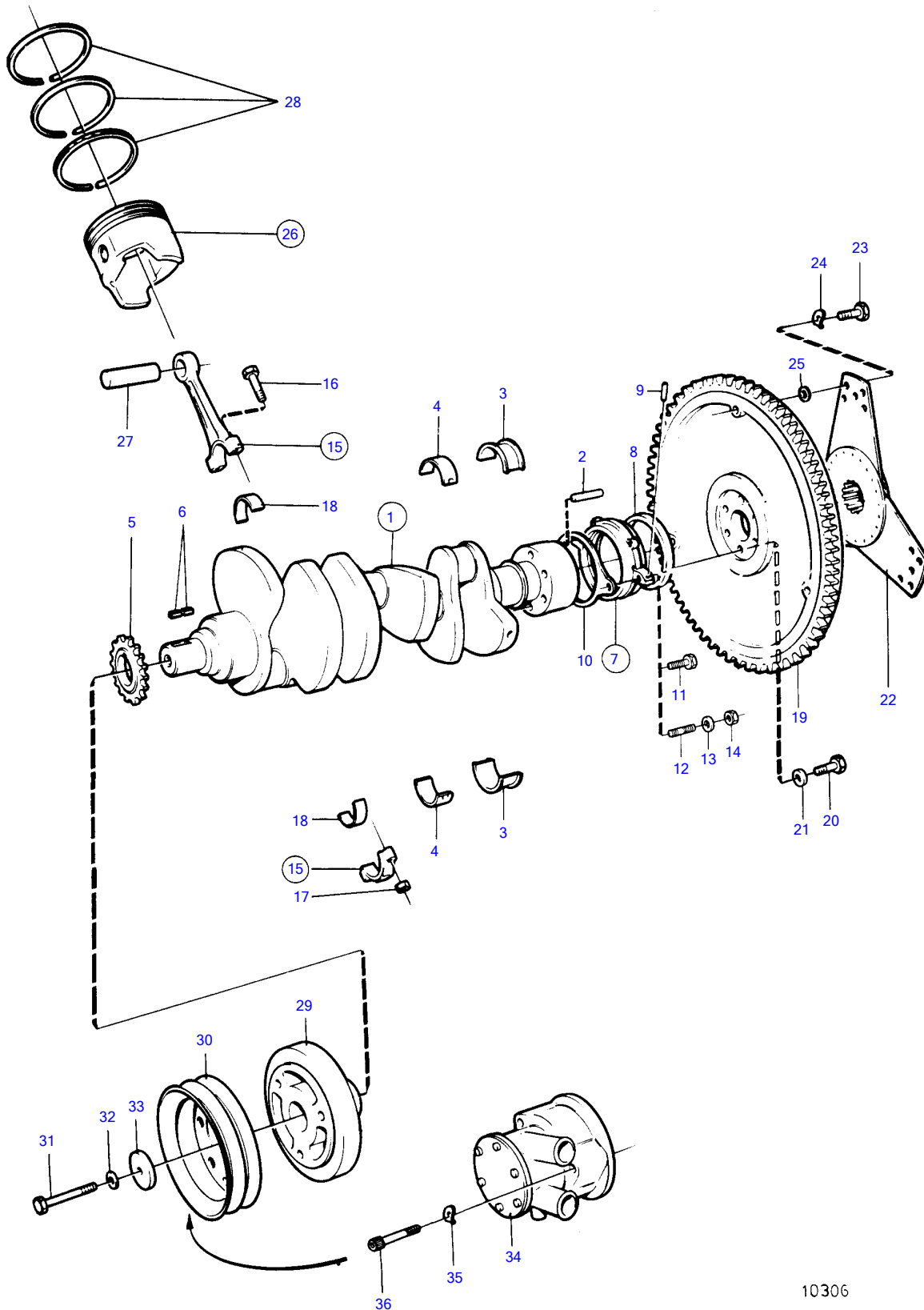


431A



10306

431A

REF	PART NO.	QTY	DESCRIPTION	SEE SEC.	NOTES
1	856372	1	Crankshaft		Included in basic engine, See group 10A
2	835057	1	• Pin		
3	856439	1	Thrust bearing		Std
	856666	1	Thrust bearing		Under size 0,010"
	856765	1	Main bearing		Under size 0,020"
4	856739	4	Main bearing		Std
	856342	4	Main bearing		Under size 0,010"
	856764	4	Main bearing		Under size 0,020"
5		1	sprocket	12455	
6	857261	1	Key		
7	855907	1	Retainer		Included in basic engine
8	855809	1	• Crankshaft seal		
9	855808	2	Stud		
10	855810	1	Gasket		
11	855811	2	Screw		L=20mm
	855812	1	Screw		
12	855813	1	Stud		
13	955893	1	Washer		
14	955825	1	Hexagon nut		
15	856375	6	Connecting rod		
16	856376	12	• Screw		
17	835473	12	• Nut		
18	856383	6	Rod bearing		Std
19	(856374)	1	Flywheel		Obsolete part
20	835439	6	Screw		
21	941909	6	Spring washer		
22	855694	1	Absorber		
23	835482	3	Screw		
24	942336	3	Spring washer		
25	940097	3	Washer		
26	856827	6	Piston		Incl.in cylinderblock., Std Repl by 857238
			Bulletin P-21-0-11	P-21-0-11-EN	Longblock Guidelines, early 5.7L
26	856828	6	Piston		Over size 0,030"Repl by8
27		6	• gudgeon pin		
28	857240	6	Piston ring		For piston with shallow grooves., Std
	856381	6	Piston ring kit		For piston with deep grooves., Std
	857241	6	Piston ring		For piston with shallow grooves., Over size 0,030"
	856382	6	Piston ring kit		For piston with deep grooves., Over size 0,030"
29	856373	1	Vibration damper		
30	835407	1	Pulley		
31	955696	1	Hexagon screw		
32	(835410)	1	Lock washer		Obsolete part
33	835409	1	Washer		
34		1	sea water pump		See group 2B
35	942336	3	Spring washer		
36	(968531)	3	Hex. socket screw		Obsolete part

7736260-21-12448C

10306

Upd:2014-10-28